

Instructions:

A. 1. With a square and pencil, lay out and mark the parts according to the dimensions shown in the drawing, then saw out all the pieces. If you do not have a sharp keyhole saw to cut the curve in the end pieces, then make the alternate side pieces, cutting off the corners 2 inches out from the top and 2 inches up from the bottom, as shown. Plane off any splinters.

2. Mark a horizontal line along the face of the back panel, 2 inches up from the bottom. Drill a 1/2-inch hole, centered in the back and 1 inch down from the top.

3. On the back side (the side that will go against the wall) of the back panel, start two nails so they will come out 1/4-inch above the line on the other side. Then nail the bottom to the back so that the edges are flush and the underside of the bottom rests on the line drawn on the back piece.

4. Start two nails in the right side to connect with the edge of the bottom piece. Start another nail in the side panel, 11/2 inches from the top, to connect with the back panel. Align the side piece with the bottom and back panels, being sure the edges are flush. Now drive in all the nails. Repeat with the left side panel.

B. 1. One observer has noticed that barn swallows always anchor their nests to nails on the side of a beam. If you want to test this idea, put two nails into the back panel, about 2 inches apart and 2 inches up from the bottom. Leave 13/4 inches of the nails sticking out.

C. 1. This shelf nest should be tacked high under the eaves -- 8 to 12 feet for swallows, 6 to 15 feet for phoebes. Drive a tenpenny box nail into the desired location, leaving 3/4-inch of the nail protruding. Hook the shelf onto the nail, through the 1/2-inch hole in the back of the shelf. Where the back extends below the bottom, drive two more siding nails into the back, leaving enough of the nails sticking out so you can pull them easily if you want to try new locations.

Materials:

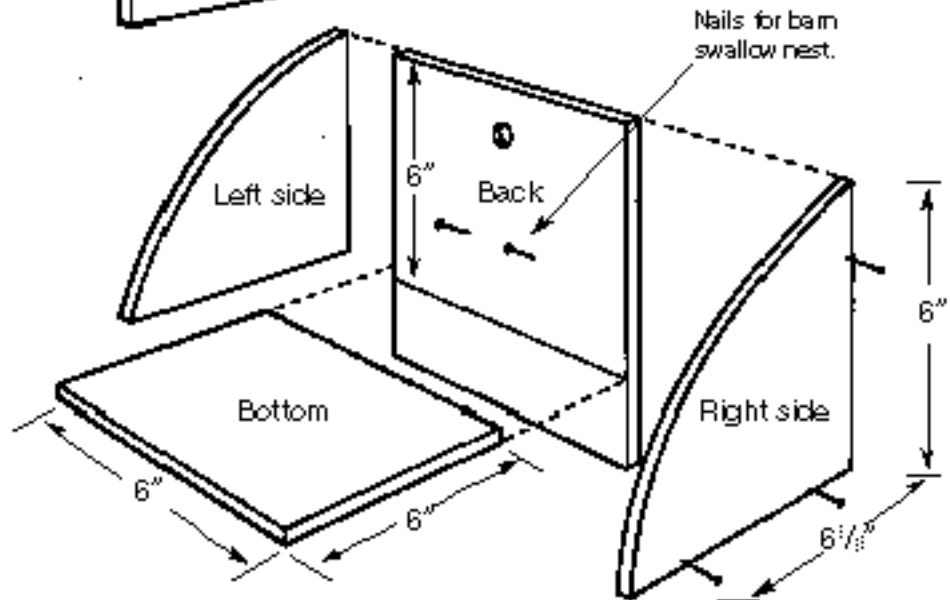
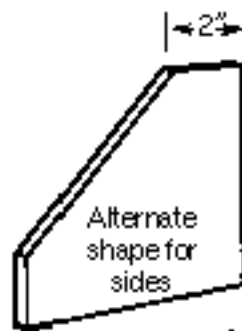
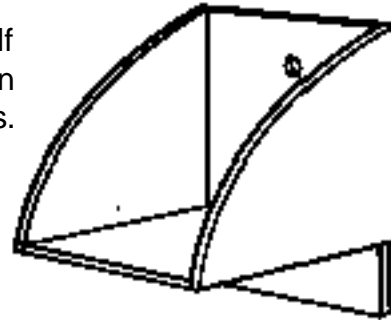
- Exterior plywood, 5/8", 253/4" by 81/4"; or T1-11 siding scraps:
- Bottom—6" by 6"
- Sides (2)—each 65/8" by 6"
- Back—6" by 8"
- Fourpenny galvanized box nails
- Twopenny galvanized box nails (3)

Tools:

- Square
- Pencil
- Ruler
- Saw
- Keyhole saw
- Plane
- Drill with 1/2" bit
- Hammer

Illustrations by Sally Onopa.

The completed shelf nest, perfect for barn swallows.



Mount the shelf nest under the eaves of your house, or beneath some other overhang.

